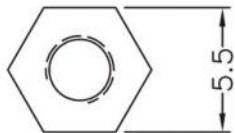
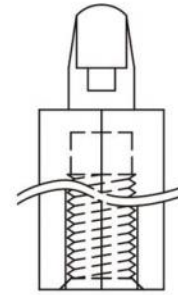
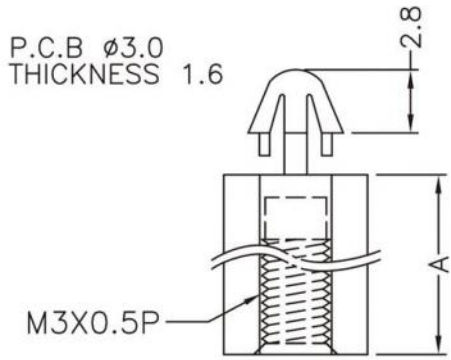


WEBSITE PHOTOS

⚠ This dwg is for reference only, Actual dwg should be based on formal engineering dwg issued by Kang Yang.



A
7.0

All measurement does not include gate which raises under 0.3mm.


 康揚企業股份有限公司
 KANG YANG HARDWARE ENTERPRISE CO., LTD.
 康揚塑膠(東莞)有限公司
 KANG YANG PLASTIC(DONG GUAN) CO., LTD.
 ISO 9001
 ISO 14001
 QC 080000
 康哲電腦配件(吳江)有限公司
 KANG CHE COMPUTER COMPONENTS(WUJIANG) CO., LTD.

PART NUMBER		MAE-7T		SPEC. DWG.	
TITLE					
SPACER SUPPORT					
MATERIAL			COLOR		
NYLON 66(UL) 94V-2			NATURAL		
SIZE	SCALE	UNIT	CHECK		
A4	2:1	mm	Z.C		