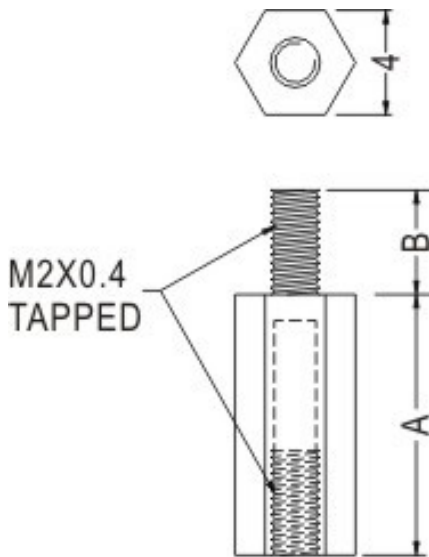


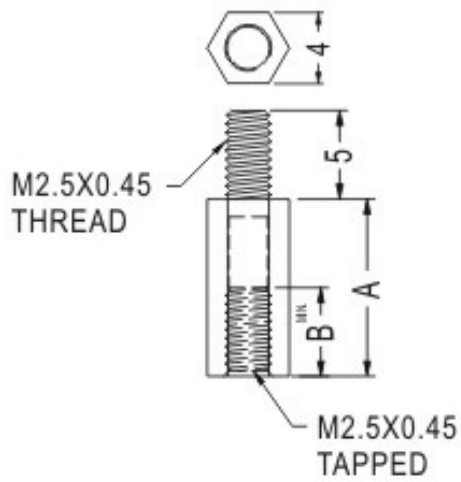


FIX-T/TP

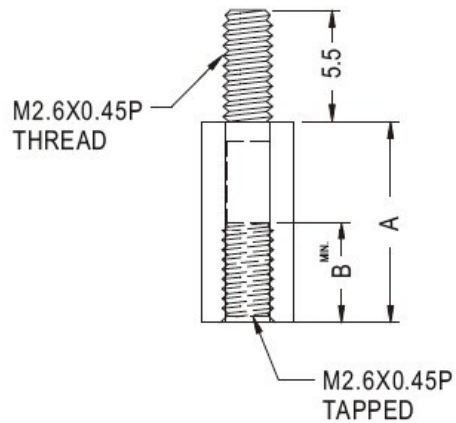
- ◆ MATERIAL: NYLON 66(UL)
- ◆ FLAME CLASS: 94V-2
- ◆ COLOR: NATURAL
- ◆ UNIT: mm



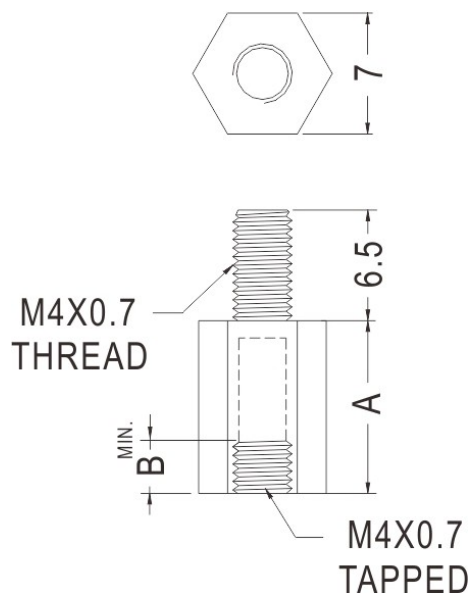
| PART NO | A | B |
|-------------|-----|---|
| FIX-TP2-5 | 5 | 5 |
| FIX-TP2-5.5 | 5,5 | |
| FIX-TP2-8 | 8 | |
| FIX-TP2-10 | 10 | |
| FIX-TP2-14 | 14 | |
| FIX-TP2-15 | 15 | |
| FIX-TP2-21 | 21 | |
| FIX-TP2-28 | 28 | |
| FIX-TP2-5S | 5 | 4 |
| FIX-TP2-8S | 8 | |
| FIX-TP2-10S | 10 | |
| FIX-TP2-15S | 15 | |



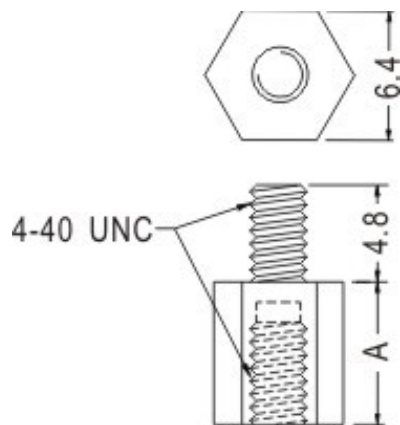
| PART NO | A | B |
|--------------|----|---|
| FIX-TP2.5-5 | 5 | 3 |
| FIX-TP2.5-6 | 6 | 4 |
| FIX-TP2.5-7 | 7 | 5 |
| FIX-TP2.5-8 | 8 | 5 |
| FIX-TP2.5-9 | 9 | 5 |
| FIX-TP2.5-10 | 10 | 5 |
| FIX-TP2.5-11 | 11 | 5 |
| FIX-TP2.5-12 | 12 | 5 |
| FIX-TP2.5-13 | 13 | 5 |
| FIX-TP2.5-14 | 14 | 5 |
| FIX-TP2.5-15 | 15 | 5 |
| FIX-TP2.5-16 | 16 | 5 |
| FIX-TP2.5-17 | 17 | 5 |
| FIX-TP2.5-18 | 18 | 5 |
| FIX-TP2.5-19 | 19 | 5 |
| FIX-TP2.5-20 | 20 | 5 |
| FIX-TP2.5-21 | 21 | 5 |
| FIX-TP2.5-22 | 22 | 5 |
| FIX-TP2.5-23 | 23 | 5 |
| FIX-TP2.5-24 | 24 | 5 |
| FIX-TP2.5-25 | 25 | 5 |
| FIX-TP2.5-26 | 26 | 5 |
| FIX-TP2.5-27 | 27 | 5 |
| FIX-TP2.5-28 | 28 | 5 |



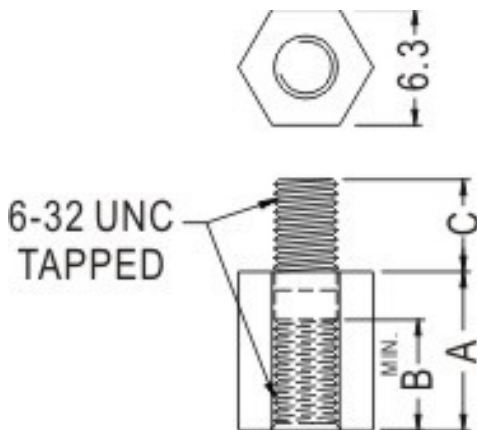
| PART NO | A | B |
|--------------|----|-----|
| FIX-TP2.6-4 | 4 | 2,5 |
| FIX-TP2.6-5 | 5 | 3 |
| FIX-TP2.6-6 | 6 | 4 |
| FIX-TP2.6-7 | 7 | 5 |
| FIX-TP2.6-8 | 8 | 5 |
| FIX-TP2.6-9 | 9 | 5 |
| FIX-TP2.6-10 | 10 | 5 |
| FIX-TP2.6-11 | 11 | 5 |
| FIX-TP2.6-12 | 12 | 5 |
| FIX-TP2.6-13 | 13 | 5 |
| FIX-TP2.6-14 | 14 | 5 |
| FIX-TP2.6-15 | 15 | 5 |
| FIX-TP2.6-16 | 16 | 5 |
| FIX-TP2.6-17 | 17 | 5 |
| FIX-TP2.6-18 | 18 | 5 |
| FIX-TP2.6-19 | 19 | 5 |
| FIX-TP2.6-20 | 20 | 5 |
| FIX-TP2.6-21 | 21 | 5 |
| FIX-TP2.6-22 | 22 | 5 |
| FIX-TP2.6-23 | 23 | 5 |
| FIX-TP2.6-24 | 24 | 5 |
| FIX-TP2.6-25 | 25 | 5 |
| FIX-TP2.6-26 | 26 | 5 |
| FIX-TP2.6-27 | 27 | 5 |
| FIX-TP2.6-28 | 28 | 5 |



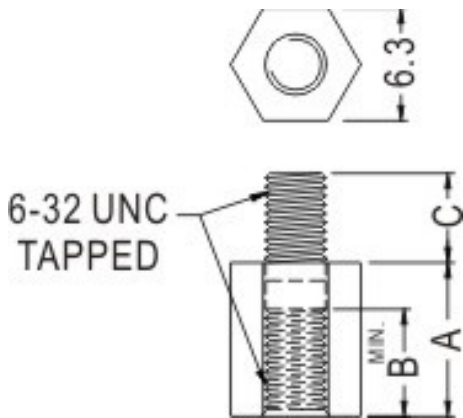
| PART NO | A | B |
|-----------|------|---|
| FIX-T4-6 | 6 | 4 |
| FIX-T4-8 | 8 | 6 |
| FIX-T4-10 | 10 | 6 |
| FIX-T4-12 | 12 | 6 |
| FIX-T4-13 | 13 | 6 |
| FIX-T4-14 | 14 | 6 |
| FIX-T4-15 | 15 | 6 |
| FIX-T4-16 | 16 | 6 |
| FIX-T4-17 | 17 | 6 |
| FIX-T4-19 | 19 | 6 |
| FIX-T4-20 | 20 | 6 |
| FIX-T4-25 | 25 | 6 |
| FIX-T4-27 | 27 | 6 |
| FIX-T4-30 | 30 | 6 |
| FIX-T4-34 | 34 | 6 |
| FIX-T4-35 | 35 | 6 |
| FIX-T4-40 | 40 | 6 |
| FIX-T4-45 | 45,5 | 6 |
| FIX-T4-57 | 57 | 6 |



| PART NO | A |
|-----------------|------|
| FIX-TP4.40-6.4 | 6,4 |
| FIX-TP4.40-7 | 7 |
| FIX-TP4.40-9.5 | 9,5 |
| FIX-TP4.40-12.7 | 12,7 |
| FIX-TP4.40-15.9 | 15,9 |
| FIX-TP4.40-19.1 | 19,1 |
| FIX-TP4.40-28.7 | 28,7 |



| PART NO | A | B | C |
|-----------------|------|-----|---|
| FIX-TP6.32-5 | 5 | 3 | 6 |
| FIX-TP6.32-5.5 | 5,5 | 3,5 | |
| FIX-TP6.32-6 | 6 | 4 | |
| FIX-TP6.32-6.3 | 6,3 | 4 | |
| FIX-TP6.32-8 | 8 | 6 | |
| FIX-TP6.32-9 | 9 | 6 | |
| FIX-TP6.32-10 | 10 | 6 | |
| FIX-TP6.32-11 | 11 | 6 | |
| FIX-TP6.32-12 | 12 | 6 | |
| FIX-TP6.32-12.7 | 12,7 | 6 | |
| FIX-TP6.32-15.9 | 15,9 | 6 | |
| FIX-TP6.32-19.1 | 19,1 | 6 | |
| FIX-TP6.32-25.4 | 25,4 | 6 | |
| FIX-TP6.32-31.8 | 31,8 | 6 | |
| FIX-TP6.32-51 | 51 | 6 | |



| PART NO | A | B | C |
|------------------|------|-----|---|
| FIX-TP6.32-5S | 5 | 3 | 5 |
| FIX-TP6.32-5.5S | 5,5 | 3,5 | |
| FIX-TP6.32-6S | 6 | 4 | |
| FIX-TP6.32-6.3S | 6,3 | 4 | |
| FIX-TP6.32-8S | 8 | 6 | |
| FIX-TP6.32-9S | 9 | 6 | |
| FIX-TP6.32-10S | 10 | 6 | |
| FIX-TP6.32-11S | 11 | 6 | |
| FIX-TP6.32-12S | 12 | 6 | |
| FIX-TP6.32-12.7S | 12,7 | 6 | |
| FIX-TP6.32-15.9S | 15,9 | 6 | |
| FIX-TP6.32-19.1S | 19,1 | 6 | |
| FIX-TP6.32-25.4S | 25,4 | 6 | |
| FIX-TP6.32-31.8S | 31,8 | 6 | |