
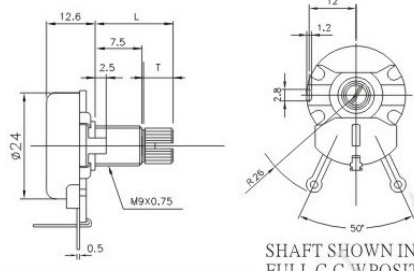

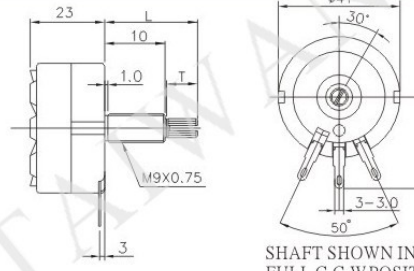


**WIRE-WOUND POTENTIOMETER**

Model	Outline Drawing	Features / Individual Specification
<p><b>VW24F</b> <b>24mm</b></p> 	 <p>SHAFT SHOWN IN FULL C.C.W POSITION</p>	<p>Total rotation angle: <math>300^{\circ} \pm 5^{\circ}</math>            Rotation torque: 30~300gf.cm            Rated wattage: 5W            Stopper strength: 6Kgf.cm</p>
<p><b>VW40F</b> <b>40mm</b></p> 	 <p>SHAFT SHOWN IN FULL C.C.W POSITION</p>	<p>Total rotation angle: <math>300^{\circ} \pm 5^{\circ}</math>            Rotation torque: 70~400gf.cm            Rated wattage: 15W            Stopper strength: 10Kgf.cm</p>