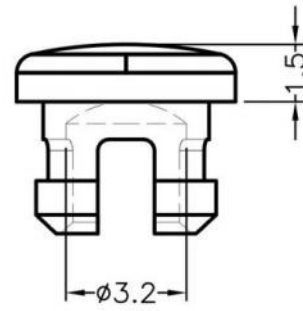
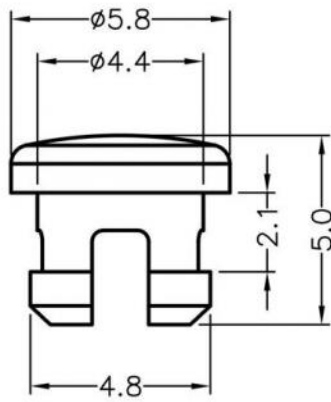


WEBSITE PHOTOS

⚠ This dwg is for reference only, Actual dwg should be based on formal engineering dwg issued by Kang Yang.



CHASSIS $\phi 4.6$
THICKNESS 2.0



康揚企業股份有限公司
KANG YANG HARDWARE ENTERPRISE CO., LTD.
康揚塑膠(東莞)有限公司
KANG YANG PLASTIC(DONG GUAN) CO., LTD.
康哲電腦配件(吳江)有限公司
KANG CHE COMPUTER COMPONENTS(WUJIANG) CO., LTD.

PART NUMBER		LEM-123		SPEC. DWG.	
TITLE					
LIGHT PIPE					
MATERIAL			COLOR		
PC(UL) 94V-2			TRANSPARENT		
SIZE	SCALE	UNIT	CHECK		
A4	2:1	mm	Z.C		