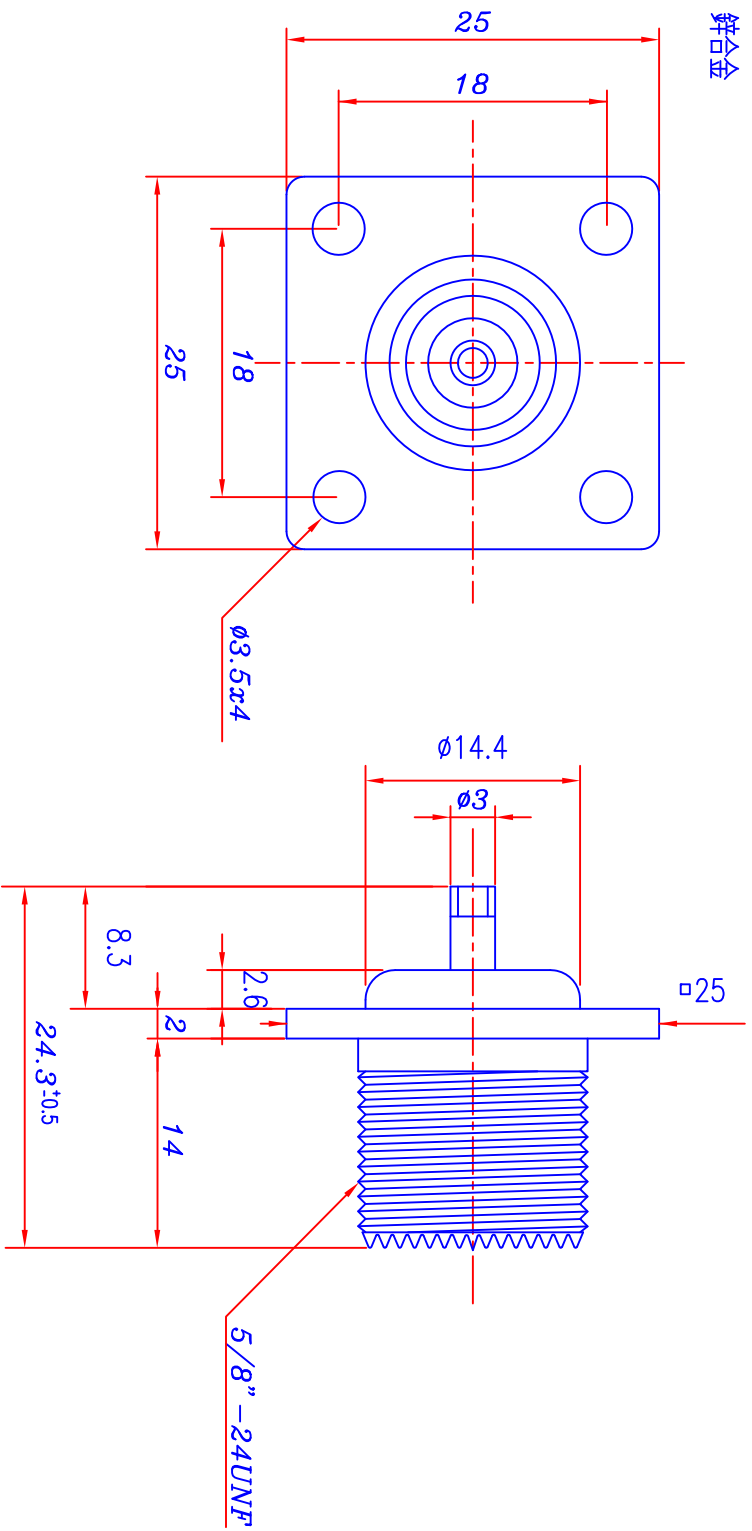


ROHS

SPECIFICATION
 UHF FEMALE CONNECTOR
 CHASSIS MOUNT , DELRIN INSULATION
 , PIN GOLD , ZINC TYPE
 白色塑膠絕緣, 本體: 鍍鎳, PIN: 鍍金 , 鉍合金
 塑鋼, 金針



UHF FEMALE CHASSIS MOUNT
 DELRIN INSULATOR
 ZINC TYPE NICKEL PLATED

UNLESS OTHERWISE SPECIFIED
 GENERAL TOLERANCES
 0.5~6 = ±0.2
 >6~30 = ±0.4
 >30~120 = ±0.6

NO.	DESCRIPTION	QTY	MATERIAL	SPECIFICATION	REMARK
DRAW BY	周佩君	030708	SCALE	1 : 2	ITEM NO. TL4108-ZDNG
DEGN BY			UNIT	MM	TITLE UHF CONNECTOR
APPD BY					

同利企業有限公司 TELE LONG ENTERPRISE CO.,LTD

DATE	DRAWG BY	REVISED	DATE	DRAWG BY	REVISED

(U004-GP)