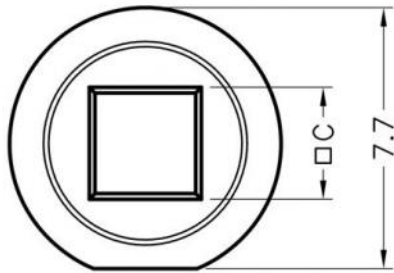
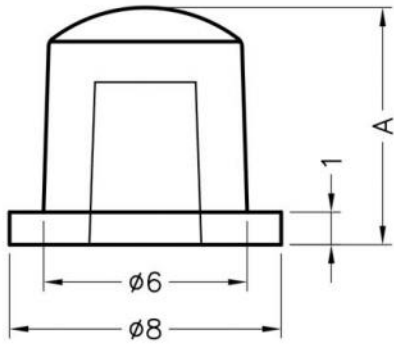


WEBSITE PHOTOS

⚠ This dwg is for reference only, Actual dwg should be based on formal engineering dwg issued by Kang Yang.



A	C
7.0	3.3



ISO 9001
ISO 14001
QC 080000

康揚企業股份有限公司
KANG YANG HARDWARE ENTERPRISE CO., LTD.
康揚塑膠(東莞)有限公司
KANG YANG PLASTIC(DONG GUAN) CO., LTD.
康哲電腦配件(吳江)有限公司
KANG CHE COMPUTER COMPONENTS(WUJIANG) CO., LTD.

PART NUMBER		TSC-11	SPEC. DWG.	
TITLE				
TACT SWITCH CAP				
MATERIAL			COLOR	
ABS(UL) 94HB			BLACK	
SIZE	SCALE	UNIT	CHECK	
A4	2:1	mm	Z.C	