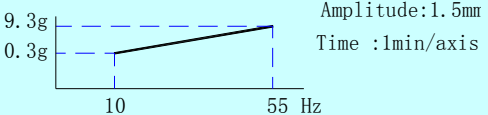


Specification

Type	Unit	
Rated Voltage	V(DC)	5
Operating Voltage	V(DC)	4~7
*Rated Current(max)	mA	30
*Sound Output at 10cm	dB	85
*Rated Frequency	Hz	2400±400
Lead pin material		Brass
Operating Temperature	°C	-20~+70
Storage Temperature	°C	-30~-80
Housing material		PPS
weight	g	2

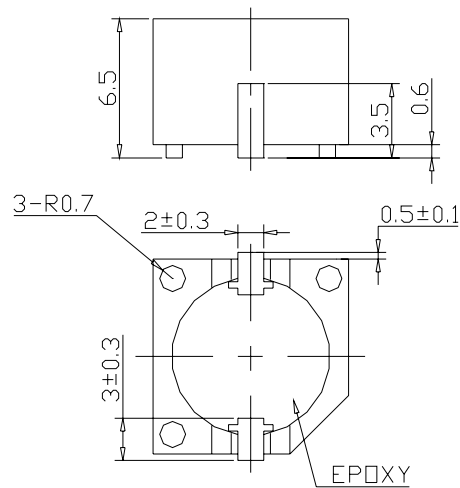
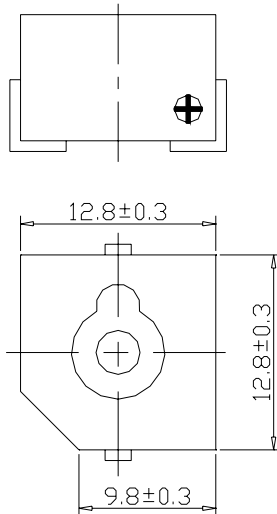
**Value Applying at Rated Voltage(DC)*

Environmental Test

Storage in High temp.	Storage in $+80\pm 2^{\circ}\text{C}$ test box for 240 hours, then expose to the room temperature for 2 hours without applying power	
Storage in Lower temp.	Storage in $-30\pm 2^{\circ}\text{C}$ test box for 240 hours, then expose to the room temperature for 2 hours without applying power	
Vibration test	 <p>Amplitude: 1.5mm Time: 1min/axis</p> <p>Make this test for the directions of X,Y,Z for 2hours each (total 6 hours)</p>	
Drop test	Drop from the height of 100cm to the surface of 10cm thick woosenboard, three directions (X,Y,Z)	
Solderability test	Soldering temp: $260\pm 5^{\circ}\text{C}$ Hest applying time: $3\pm 0.5\text{sec}$	<i>90%min lead terminals shall be wet with solder</i>
Lead pin strength pulling	The force 10 seconds of 9.8N is applied to each lead pin in axial direction	<i>No damage and cutting off</i>

After test The value pf frequency/current/SPL shound be meet specifications

Dimension (Unit:mm tolerance: $\pm 0.5\text{mm}$)



Reflow Solderable and Washable