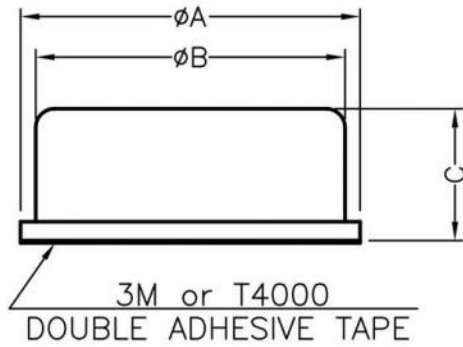


WEBSITE PHOTOS

⚠ This dwg is for reference only, Actual dwg should be based on formal engineering dwg issued by Kang Yang.



A	B	C
9.0	8.2	3.5

Height include adhesive tape , not include release paper.


 康揚企業股份有限公司
 KANG YANG HARDWARE ENTERPRISE CO., LTD.
 康揚塑膠(東莞)有限公司
 KANG YANG PLASTIC(DONG GUAN)CO.,LTD.
 ISO 9001
 ISO 14001
 QC 080000
 康哲電腦配件(吳江)有限公司
 KANG CHE COMPUTER COMPONENTS(WUJIANG) CO.,LTD.

PART NUMBER		RF9-3.5	SPEC. DWG.		
TITLE		RUBBER FOOT			
MATERIAL		RUBBER	COLOR	BLACK	
SIZE	A4	SCALE	2:1	UNIT	mm
CHECK		Z.C			