

BUZZ35P

(RoHS)

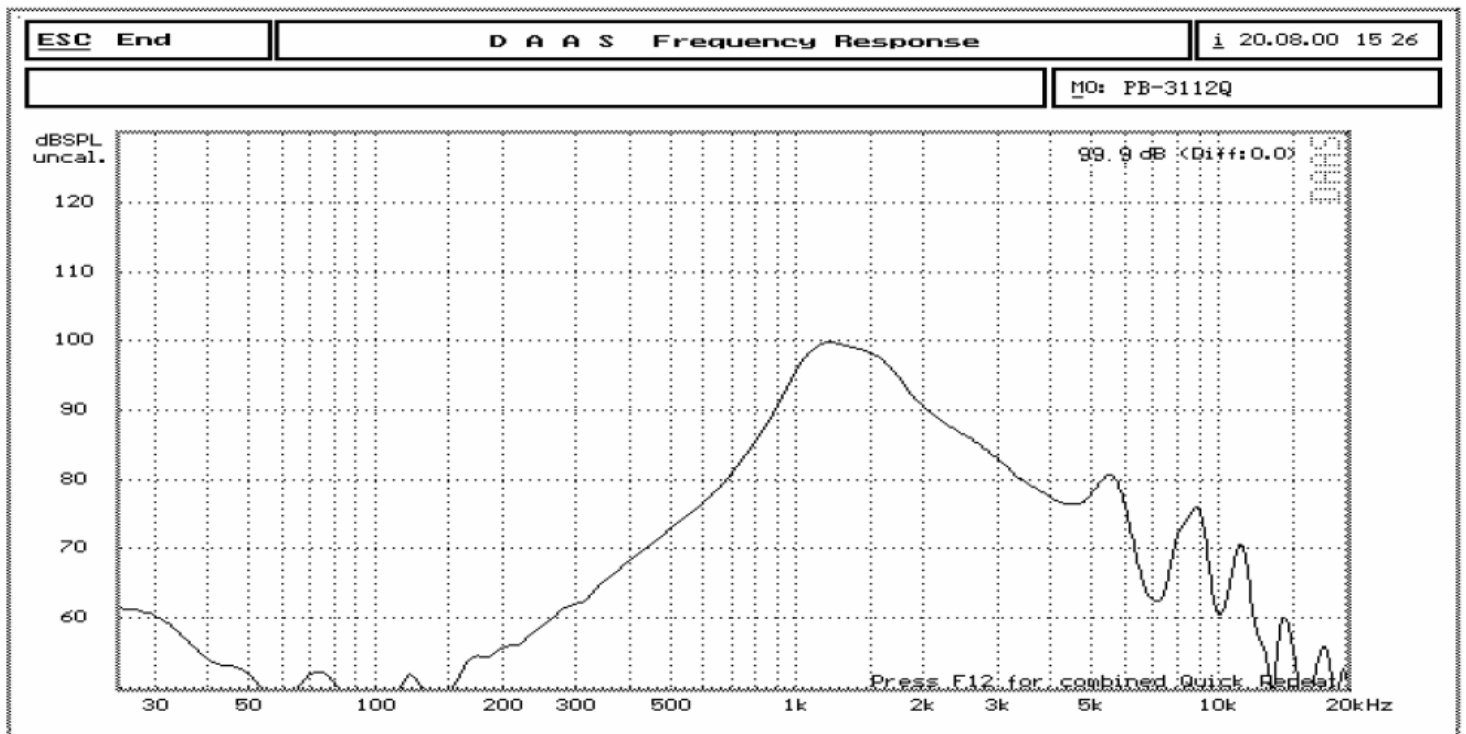
1 . Electrical Characteristics

VER .:1

| | |
|--------------------------------|-----------------------------|
| Resonant Frequency (KHz) | 1.25 ±0.5 |
| Operating Voltage (Vp-p/max.) | 30 |
| Rated Voltage (Vp-p) | 5.0 |
| Current Consumption (mA/max.) | 1.5 at Rated Voltage |
| Sound Pressure Level (dB/min.) | 70 at 10cm at Rated Voltage |
| Capacitance (pF) | 48,000 ± 30% at 120 Hz |
| Operating Temperature (°C) | -20 ~ +100 |
| Storage Temperature (°C) | -30 ~ +110 |
| Manual soldering conditions | 350±20°C / within 5sec |

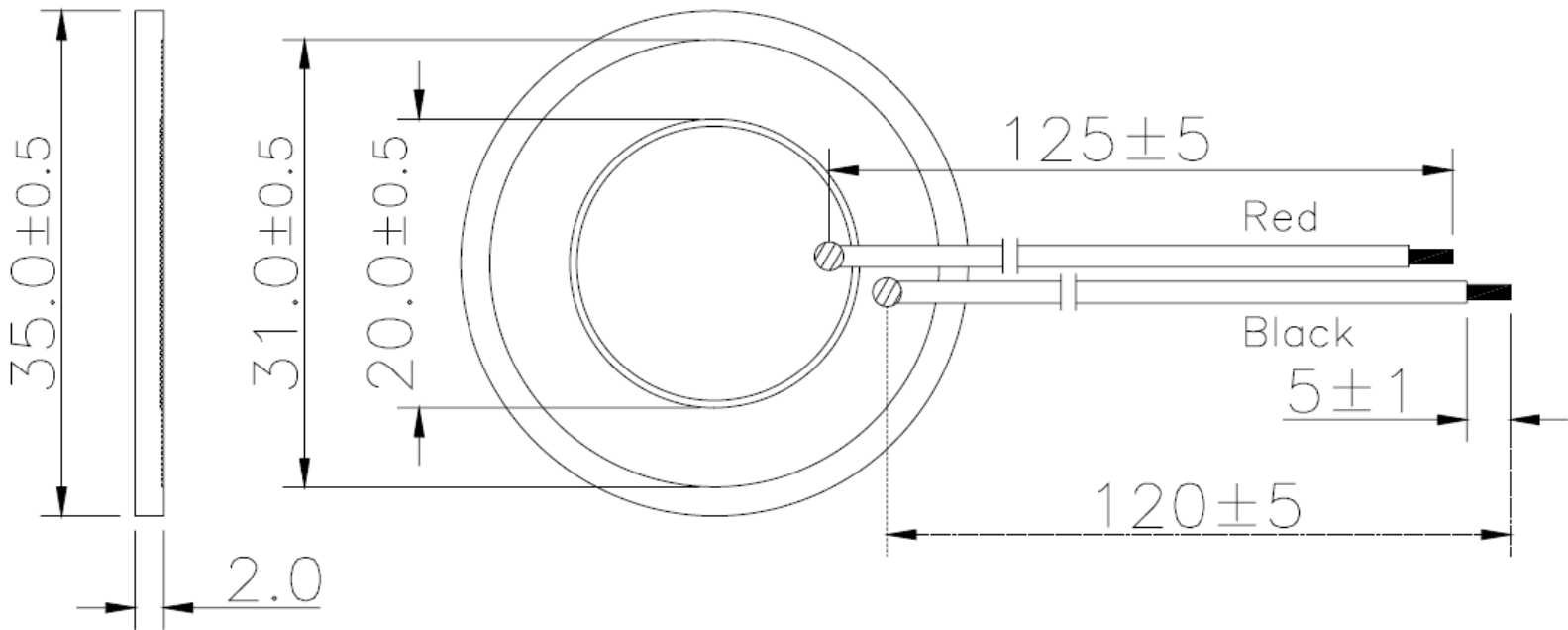
PS : Vp-p=1/2duty , square wave

2 . Typical Frequency Response Curve



3 . Dimensions and Material

3-1 Shape



Unit : mm

3-2 Material

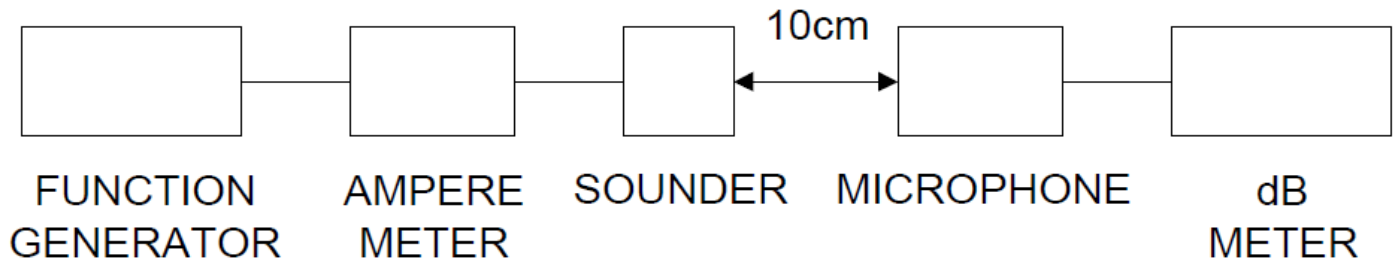
4. TESTING METHOD

- **Standard Measurement conditions**

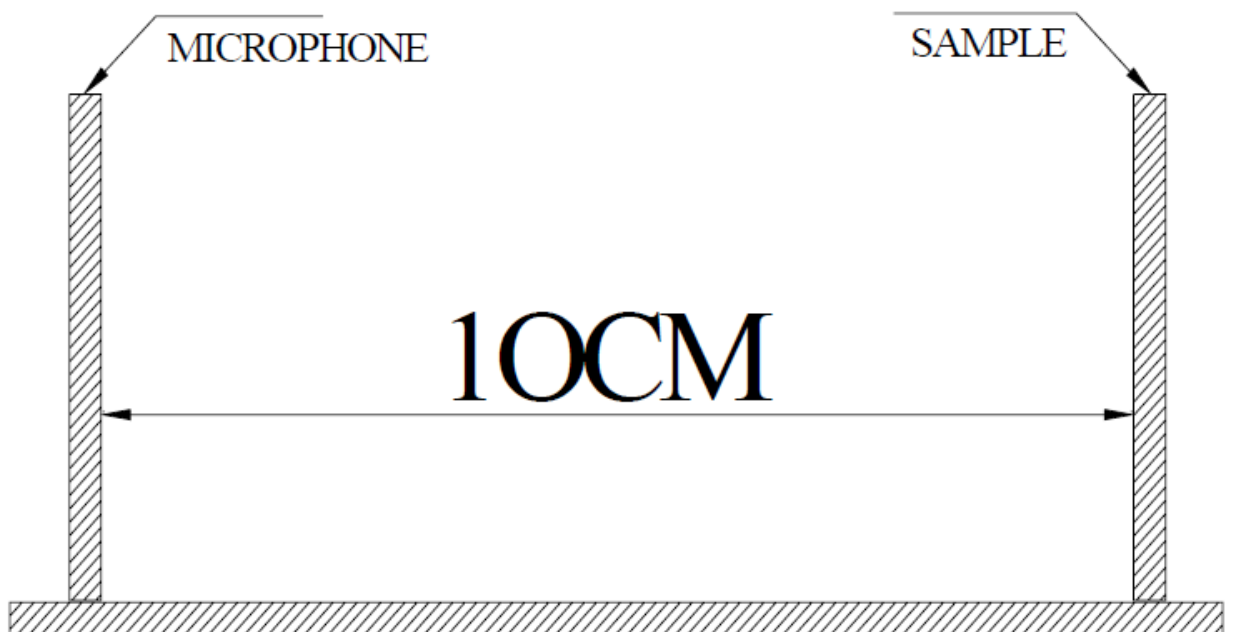
Temperature: $25 \pm 2^\circ\text{C}$ Humidity: 45-60%

- **Acoustic Characteristics**

The oscillation frequency, current consumption and sound pressure are measured by the measuring instruments shown below.



In the measuring test, buzzer is placed as follows:



5. RELIABILITY

| ITEMS | METHOD OF TEST AND MEASUREMENTS | PERFORMANCE |
|-----------------------------------|---|---------------------------------------|
| <i>Coldness withstanding</i> | <i>After 98 hours of being exposed to -30 °C environment, should be returned to normal environment for 2 hours, then re-proceed to test.</i> | <i>No abnormality shall exist</i> |
| <i>Hotness withstanding</i> | <i>After 98 hours of being exposed to +110 °C environment, should be returned to normal environment for 2 hours, then re-proceed to test.</i> | <i>No abnormality shall exist</i> |
| <i>Humidity withstanding</i> | <i>After 98 hours of being exposed to 40 °C 95%RH environment in actual operation, should be returned to normal environment for 2 hours, then re-proceed to test.</i> | <i>No abnormality shall exist</i> |
| <i>Durability</i> | <i>Testing after 1,000 hours actual continuous operation. (at standard measurement conditions)</i> | <i>No abnormality shall exist</i> |
| <i>Drop withstanding</i> | <i>A natural drop from 75cm high down to the ground.</i> | <i>No abnormality shall exist</i> |
| <i>Vibration withstanding</i> | <i>Vibration of 2,000 cycles per minute, 2mm amplitude, applied in X, Y and Z directions for 30 minutes each.</i> | <i>No abnormality shall exist</i> |